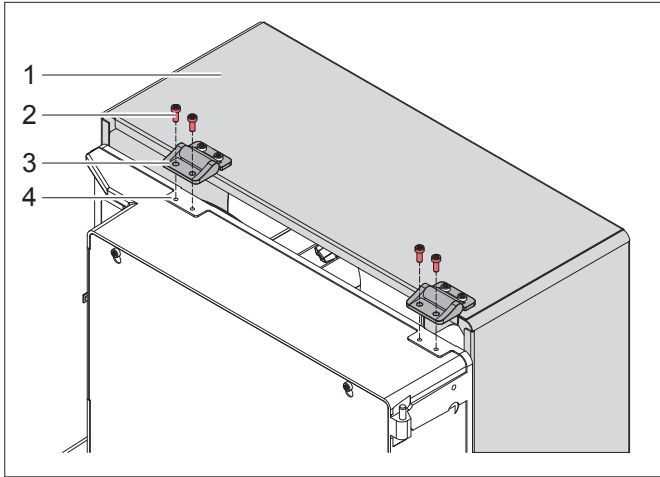




## Cover for BradyPrinter A8500 Label Printer Applicator

Edition: March 2020

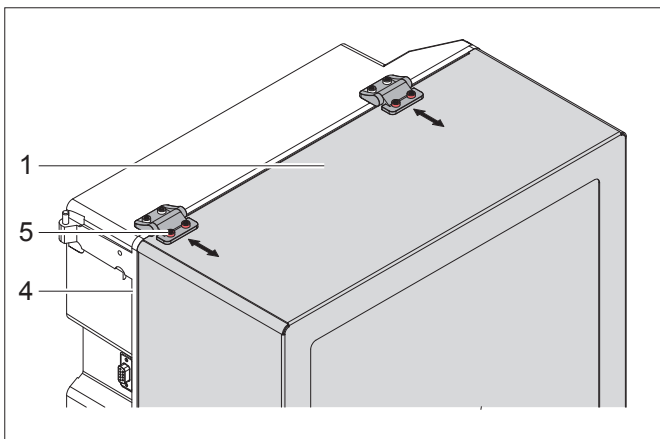


### Contents of Delivery

- Cover (1) with mounted hinges (3)
- 4 Screws M4x10 (2)

### Mounting

- ▶ Put the cover (1) with the hinges (3) onto the frame (4) of the printer.
- ▶ Attach the hinges with screws (2) to the drillings of the frame.



### Adjustment

If the cover does not touch the frame evenly, the cover can be adjusted at the hinges.

- ▶ Loosen screws (5).
- ▶ Push the cover (1) against the frame (4) until the cover touches the frame evenly.
- ▶ Tighten the screws (5).

**Brady Worldwide, Inc**  
6555 West Good Hope Road  
P.O. Box 2131  
Milwaukee, WI 53201-2131  
bradyid.com  
Tel: 800-537-8791

**Brady EMEA**  
Lindestraat 20  
9240 Zele  
Belgium  
brady.eu  
Tel: +32 (0) 52 45 78 11

**Brady Corporation Asia**  
1 Kaki Bukit Crescent  
Singapore 416236  
bradycorp.com/global  
Tel: 65-6477-7261

