

# BRANACH

SAFETY. OUR WAY OF LIFE

Superior height safety systems.

## Engineered Ladder Solutions.



EU

[branacheurope.com](http://branacheurope.com)



## Who is Branach?

Branach is a world-leading height safety solutions provider. Keeping your workers safe is our priority. Every product we create, every innovation we develop is driven by this goal.

## Who uses Branach?

Branach services a number of industries including construction, telecommunications, oil and gas, aviation, food production, chemical production, marine, transport, power distribution, infrastructure maintenance, water supply, solar and wind power. With offices in Europe, Branach operates and delivers to the global community.

## Partnership

To stay ahead of the pack, you must continue to grow. That's why at Branach we're committed to listening to our customers and better understanding their needs. This partnership enables us to design customised solutions and provide comprehensive, unique product training.

## Innovation

Our design team creates world-class functional, simple and well-engineered products.

- Innovative fall control system
- Unique patented strongbox construction method
- Award-winning TerrainMaster
- World's leading fibreglass safety step platform



## Unique Construction

When it comes to safety, there is no compromise. That's why height safety is at the forefront of our entire product range from concept to construction.

Our wide range of fibreglass ladders and safety step platforms exceed the highest industry requirements, and will keep you safe while working across a vast array of heights.

Electrically resistant and lightweight, all Branach ladders feature our unique fibreglass box rail. Industry proven and tested, the fibreglass box rail dramatically reduces twist and sway by up to 40%, while being both lighter and more durable than C-section ladders.

- Electrically resistant
- Lightweight
- Rigid & sturdy
- Reduced twist & sway
- Reduced bounce
- All-weather resistant
- Durable
- Repairable
- Low maintenance
- Highly visible

### Lightweight and Portable

Our products are lightweight, easy to manoeuvre and remain ridged with minimal flex or bounce.



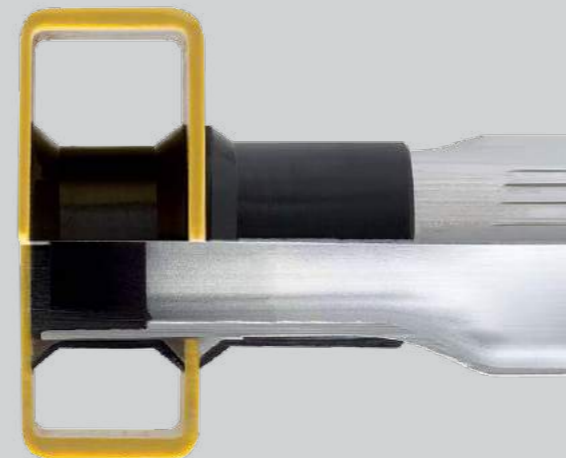
### Tried and Tested

At Branach our ladders undergo our most vigorous testing to ensure your safety at all times.



### Patented Joint

Our strongbox joining system gives unparalleled performance in strength and stability.



### Details Matter

Our commitment to attention to detail is paramount, because we know it's the little features that make the biggest impact.



# EuroMaster

## Safety Step Platform Range

Meets EN 131-7:2013

- Fibreglass stiles
- Electrically safe
- Extra stability as per EU standard
- Lightweight and easy to position
- Folds to 200mm width
- Comfortable working platform
- Leveling ability to 300mm
- High stability
- Large foot pads
- 3 year warranty

### Features

- Front safety rail** situated at 900mm above the deck
- Lightweight and durable yet load rated to 150kgs**
- Unique construction** allows for quick action set up, **portability**, and easy storage
- Larger deck** allowing greater movement
- Step plates** for added stability and purchase
- Equal step distance** to the ground, ensures safe access and egress
- Rear safety rail** for optimum safety
- Kickboard** to protect workers below the platform deck



### Specifications

#### FPE-PM

#### EuroMaster Premium Step Platform FPE-PM

EN131-7:2013. Features kickboard, sure step covers, 400mm x 580mm platform deck, raised legs and rear safety rail.

MODEL	Platform height	Stabiliser width	Front to rear spread	Maximum load rating	Weight
FPE-PM-0.6	0.57 m	0.84 m	0.97 m	150 kg	15.8 kg
FPE-PM-0.9	0.86 m	0.84 m	1.10 m	150 kg	17.1 kg
FPE-PM-1.2	1.15 m	0.84 m	1.22 m	150 kg	18.7 kg
FPE-PM-1.4	1.44 m	1.25 m	1.34 m	150 kg	21.3 kg
FPE-PM-1.7	1.72 m	1.25 m	1.46 m	150 kg	22.9 kg
FPE-PM-2.0	2.01 m	1.54 m	1.59 m	150 kg	27.3 kg
FPE-PM-2.3	2.30 m	1.54 m	1.71 m	150 kg	28.9 kg
FPE-PM-2.6	2.58 m	1.60 m	1.83 m	150 kg	30.8 kg
FPE-PM-2.9	2.87 m	1.77 m	1.96 m	150 kg	32.5 kg

#### FPE-AT

#### EuroMaster All Terrain Step Platform FPE-AT

EN131-7:2013. Features kickboard, 400mm x 580 platform deck, sure step covers, rear safety rail, All Terrain adjustable legs.

MODEL	Platform height	Stabiliser width	Front to rear spread	Maximum load rating	Weight
FPE-AT-0.9	0.86 m	0.99 m	1.16 m	150 kg	21.1 kg
FPE-AT-1.2	1.15 m	0.99 m	1.29 m	150 kg	22.7 kg
FPE-AT-1.4	1.44 m	0.99 m	1.41 m	150 kg	24.3 kg
FPE-AT-1.7	1.72 m	1.38 m	1.53 m	150 kg	26.0 kg
FPE-AT-2.0	2.01 m	1.38 m	1.65 m	150 kg	29.7 kg

#### FPS

#### CorrosionMaster Step Platform FPS

AU standards AS-NZ 1892:3 & ANSI 14:5 2000 316 stainless steel and fiberglass. Suitable for electrical work and harsh corrosive environments.

Model	Platform height	Front to rear spread	Maximum load rating	Weight
FPS 0.6	0.58 m	0.98 m	150 kg	19.5 kg
FPS 0.9	0.88 m	1.10 m	150 kg	22.5 kg
FPS 1.2	1.17 m	1.23 m	150 kg	25.5 kg
FPS 1.5	1.46 m	1.35 m	150 kg	28.5 kg
FPS 1.8	1.75 m	1.48 m	150 kg	31.5 kg
FPS 2.1	2.04 m	1.60 m	150 kg	36.0 kg
FPS 2.4	2.34 m	1.73 m	150 kg	39.0 kg
FPS 3.0	2.92 m	1.98 m	150 kg	45.0 kg
FPS 3.6	3.50 m	2.23 m	150 kg	51.0 kg

- Platform height
- Stabiliser width
- Front to rear spread
- Maximum load rating
- Weight

# Euro PowerMaster Extension and Single Ladders

Meets EN 131-2:2010 + A2:2017

Our single and extension ladders are stronger than any other fibreglass ladders in the market, featuring a unique Strongbox construction.

- Fibreglass stiles
- Electrically safe
- Lightweight and easy to position
- Outstanding durability
- Dramatic reduction in sway and twist
- All-weather resistant
- TerrainMaster maximises grip and stability on uneven ground

## Features

- 1 **Lightweight and effortless action** to deploy
- 2 Flat D rungs provide **safety and comfort** to the height worker
- 3 **Branach latch** for smooth one handed operation
- 4 **TerrainMaster** levelling and stabilising system.



## Specifications

### FEU

#### Euro PowerMaster Extension FEU

Features flat D rungs for greater foot stability, TerrainMaster Branach Latch and Arapoline Rope. Single action set-up.

MODEL	↙	↗	⚠	kg
FEU 3.9	2.74 m	3.86 m	150 kg	18.5 kg
FEU 5.1	3.34 m	5.06 m	150 kg	21.5 kg
FEU 6.3	3.94 m	6.26 m	150 kg	24.5 kg
FEU 7.5	4.54 m	7.46 m	150 kg	31.0 kg
FEU 8.7	5.14 m	8.66 m	150 kg	34.1 kg
FEU 9.6	5.74 m	9.56 m	150 kg	39.0 kg

### FNU

#### Euro PowerMaster Single FNU

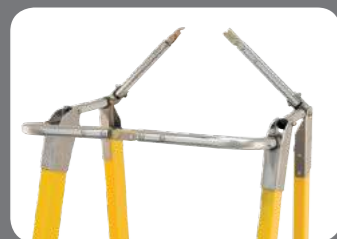
Features flat D rungs for greater foot stability, TerrainMaster and 450mm ladder width.

MODEL	◇	⚠	kg
FNU 2.4	2.38 m	150 kg	9.4 kg
FNU 3.0	2.98 m	150 kg	10.7 kg
FNU 3.6	3.58 m	150 kg	12.2 kg
FNU 4.2	4.18 m	150 kg	15.4 kg
FNU 4.8	4.78 m	150 kg	17.2 kg
FNU 5.4	5.38 m	150 kg	19.5 kg

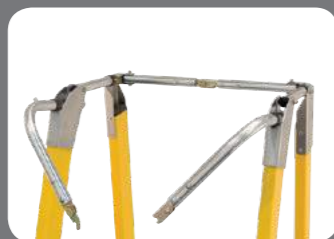
- ↙ Closed height
- ↗ Extended height
- ◇ Height
- ⚠ Maximum load rating
- kg Weight

# Accessories

Safety Step Platforms – FPE-PM, FPE-AT, FPS



Front Split Rail  
FC for FPS



Rear Safety Rail  
RS for FPS



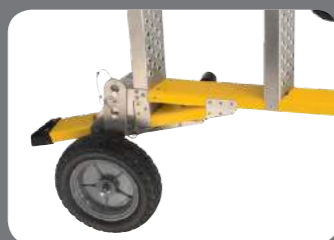
Tool Tray  
TR



Lever Actuated Castors  
CC for FPS



Outdoor Wheel Kit –  
Two Legs OW for FPS



Outdoor Wheels –  
All Legs OK for FPS



Company Mark  
MK



Ladder Tag Identification  
ID

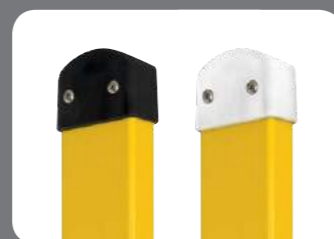
Extension and Single Ladders – FEU, FNU



Tethering System  
TF



Cable Hooks  
CH



Fly Boot Protector  
FB – Black / FW – White



Fly Protector Strip  
FP



Bottom Lash  
BL



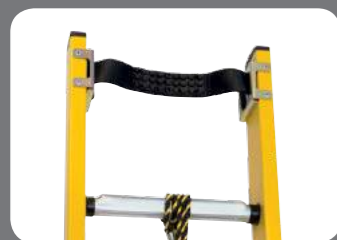
Bottom Lash & Red Flag  
BF



Top Lash  
TL



Pole Chain  
PC



Pole Strap  
PS



Company Mark  
MK



Ladder Tag Identification  
ID

# TerrainMaster

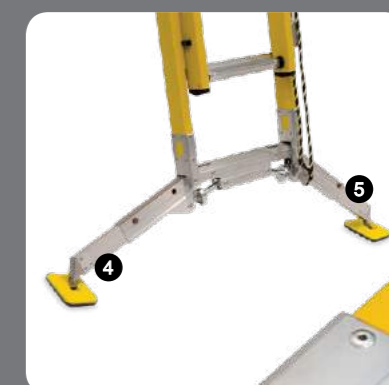
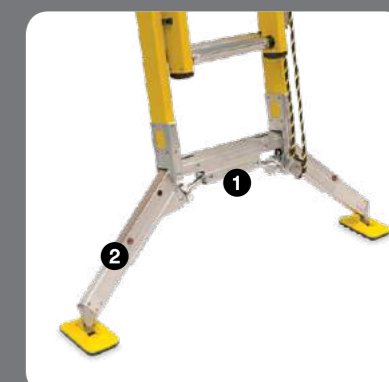
Worldwide research indicates instability is the common factor in ladder falls, resulting in trauma and fatalities. ‘Overreaching’ and the ladder ‘slipping out’ is the leading cause of destabilising the ladder.

The TerrainMaster was designed for just this purpose. It offers the convenience and stability that users and safety experts have been asking for.

Built to industrial standards to master the most punishing environments, the award-winning TerrainMaster is ‘Changing the face of height safety’ with unprecedented stability.

## Features

- 1 Eliminates sideways twist and movement
- 2 Lightweight and durable
- 3 Folds within the envelope of the ladder, making transport and handling stress free
- 4 Extends to an incredible base of 1.3 metres
- 5 Both legs deploy and extend independently, giving unparalleled stability and purchase to uneven or sloping ground
- 6 Large footpads to provide secure footing



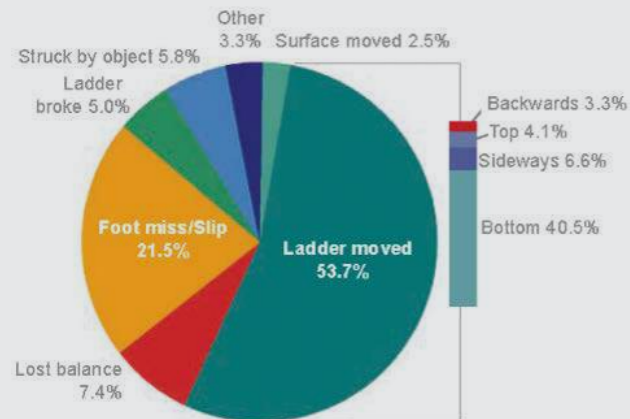
# Why Fall Control?

After years in the field with customers and safety experts, we knew what had to happen.

## Simple

A system to ensure the height worker is safe while ascending, descending or accidental fall, slip or medical issue.

### Why people fall off ladders†



The elements of the Branch Fall Control address:

**STRENGTH** required to arrest the user.

**STABILITY** required to remain upright during a fall event.

**ANCHORING** mechanism to ensure the user does not separate from the ladder structure.

**RESCUE** so the height worker can be safely lowered down by someone on the ground.

†Source

Liberty Mutual Research Institute for Safety – Center for Injury Epidemiology (CIE)  
From Research to Reality - Volume 15 | Number 3 | Winter 2012



The design and unique construction of our award winning system addresses the two most common ladder failure modes.

## Failure Mode 1

**STABILITY FAILURE** – Movement of the ladder.

Base slip, movement of the top of the ladder and sideways tipping.



**BOX RAIL** rung joining system provides unparalleled performance in strength and stability, dramatically reduces twist and sway by up to 40%.



**TERRAINMASTER™** ensures a stable footing and eliminates sideways movement.



**TETHERS** that can be bolted into the ground or structure. This ensures the ladder is securely fixed.

## Failure Mode 2

**USER ERROR** – Incorrect use of the Ladder.

Foot missed/slipped, user lost balance and overreaching.



**WORK POSITIONING HOOK, RUNG EYELETS and HARNES** ensure adequate anchoring to the ladder structure.



The **INNOVATIVE DESCENDER** allows the user to replace themselves back on the ladder. **GROUND BASED RESCUE** system allows a passerby to rescue the height technician in an emergency.



In addition, our **NON-SLIP RUNGS** help reduce foot slips.

# Fall Control System Extension Ladder with Fall Control

## Guiding Principles of the Branch Fall Control System

- The worker is **safe** from the moment they leave the ground.
- The stability system works from the **ground** up.
- Fall control system stems from the **increased base** of support.
- The ladder is **secured** with an integrated tether system.
- Integrated **rescue** by second user from the ground.
- Allows workers to work from the ladder with **both hands** comfortably and safely.
- To meet and exceed compliance and international **standards**.
- Design fit for purpose, **critical** piece of climbing equipment.
- Periodic **inspection** schedule recommended.

## Features

- 1 Cross Bar and Upper Pulley
- 2 Run Work Position Hook
- 3 Non-slip Rungs
- 4 Tether Tensioner
- 5 Box Rail Rung Joining System
- 6 Tether Rope
- 7 Rope Bag
- 8 Vertical Lifeline (configured for rescue)
- 9 Lower Tether Hooks
- 10 Level Bubble
- 11 Descender
- 12 Extra Wide TerrainMaster



## Specifications

### FEU-FC

#### Extension Ladder with Fall Control FEU-FC

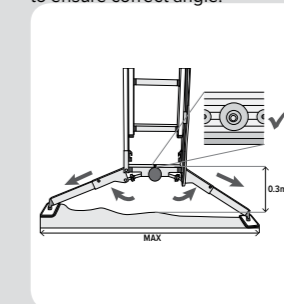
Features flat D rungs for greater foot stability, Extra Wide TerrainMaster, Branch Latch, Arapoline Rope, Tethers, Rope Bag, Rope Grab, Rung Work Position Hook, Descender/Rescue, Life Line and Level Bubble.

MODEL	↘	↗	⚠	⚖
<b>FEU 3.9 FC</b>	2.90 m	3.89 m	150 kg / 120 kg	20.5 kg / 23.0 kg
<b>FEU 5.1 FC</b>	3.50 m	5.09 m	150 kg / 120 kg	23.5 kg / 26.0 kg
<b>FEU 6.3 FC</b>	4.10 m	6.29 m	150 kg / 120 kg	26.6 kg / 29.0 kg
<b>FEU 7.5 FC</b>	4.70 m	7.49 m	150 kg / 120 kg	33.0 kg / 35.7 kg
<b>FEU 8.7 FC</b>	5.30 m	8.69 m	150 kg / 120 kg	36.0 kg / 39.0 kg

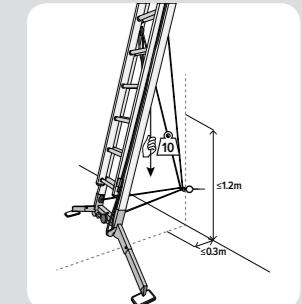
- ↘ Closed height
- ↗ Extended height
- ⚠ Maximum load rating (Ladder / Fall Control)
- ⚖ Weight (Without Bag / With Bag)

## How does it work?

**Step 1**  
Deploy the Terrain Master to its widest setting, using level bubble to ensure correct angle.



**Step 2**  
Attach rope tethers around pole or to structure. Apply tension.



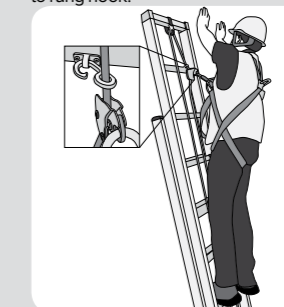
**Step 3**  
Attach harness to the fall arrest device.



**Step 4**  
Test weight on system.



**Step 5**  
Ascend ladder to desired position. Use work positioning hook to attach to rung hook.



**Rescue**  
Rescue is simple and easy to perform without putting a second user at risk.





# Ladder Usage Work Risk Matrix

Stage	Risks	Failure Mode	Controls				Key
			Level 1	Level 2	Level 3		
			Conventional Ladder	Ladder with Terrain Master	Ladder System: Attached at rung + wall tie	Ladder System: With life line + wall tie	
Access/Egress	Uneven ground	Side tip	✗ ▲	●	●	●	<b>●</b> Risk addressed <b>✗</b> No control <b>▲</b> Admin control needed <b>1</b> 2nd Ladder tie off <b>●</b> Optional Equipment <b>2</b> Climbing Helmet <b>3</b> Pole/ladder top rescue kit <b>4</b> Lone worker man down system <b>5</b> Periodic Inspection <b>6</b> Training
	Soft ground	Side tip	✗	●	●	●	
	Wrong setup incline	Slip back	✗ ▲	●	●	●	
	Slippery surface	Slip back	✗ ▲	▲	●	●	
	Carrying tools up ladder	Slip off	✗	✗	✗	●	
	Fall during climb	Slip off	✗	✗	✗	●	
Work from ladder	Apply force to structure	Slip back	✗ ▲	●	●	●	
	Two hand operation	Fall off	✗ ▲	▲	●	●	
	Over reaching	Side fall	✗	✗	●	●	
	Over reaching	Ladder tips	✗	●	●	●	
	Slip	Fall off	✗	✗	✗	●	
	Dropping Tools		●	●	●	●	
Rescue/Fall Event	Legs get tangled in fall	Side tip	✗	✗	▲ <sup>1</sup>	▲ <sup>1</sup>	
	Head injury from slip	Fall off	✗	● <sup>2</sup>	● <sup>2</sup>	● <sup>2</sup>	
	Bite/Sting/Accident	Fall off	✗	✗	●	●	
	No rescue equipment	Suspension trauma	✗	✗	● <sup>3</sup>	●	
	Wait to be rescued	Suspension trauma	✗	✗	▲ <sup>4</sup>	▲ <sup>4</sup>	
	Rescue accident on ladder	Ladder fails	✗	✗	▲	●	
	Ladder system damaged	Fails Insepction	✗	✗	✗	✗	
	Injured from fall	Unconscious	✗	✗	✗	✗	
Compliance/Environment	AS NZS 1892		●	●	●	●	
	AS NZS 1892 Higher Stability		✗	●	●	●	
	Training		●	●	●	●	
	Periodic Inspection Program		▲ <sup>5</sup>	▲ <sup>5</sup>	▲ <sup>5</sup>	▲ <sup>5</sup>	
	Misuse / Incorrect Operation		▲ <sup>6</sup>	▲ <sup>6</sup>	▲ <sup>6</sup>	▲ <sup>6</sup>	
	Electrically Compliant		●	●	●	●	

## BRANACH AUSTRALIA

### Head Office & Manufacturing

a 1/991 Mountain Highway,  
Boronia, Victoria 3155, Australia  
t +61 3 9761 6633  
f +61 3 9761 6644  
e sales@branach.com.au  
w www.branach.com.au

## BRANACH EUROPE

### Office

a Morsoegade 4  
DK-6700 Esbjerg, Denmark  
CVR: DK-39174847  
o +45 70 70 78 97  
w branacheurope.com

### Peter Skou

m +45 60 13 74 16  
e peter@branacheurope.com

### Sorin Vrincean

m +40 743 238 006  
e sorin@branacheurope.com